

# TRINITY SF62014

SEMI FLUSH

PROJECT



## DESCRIPTION

A trio of modern and trendy glass finishes make up the endless possibilities of the Trinity collection. Available in multiple pendant shapes and a stunning semi-flush configuration, the Trinity's versatility and standout finishes are sure to be a hit in any space.



SF62014-BK/CH  
Black/Chrome



SF62014-BK/CP  
Black/Copper

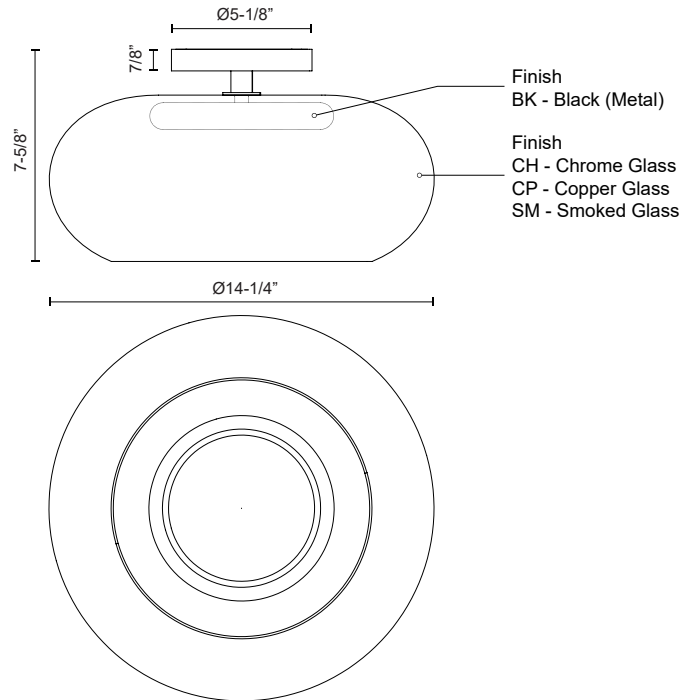


SF62014-BK/SM  
Black/Smoked

## SPECIFICATION DETAILS

\* For custom options, consult factory for details.

<b>Fixture Dimensions</b>	D14-1/4" x H7-5/8"
<b>Light Source</b>	AC LED Module
<b>Wattage</b>	21W
<b>Total Lumens</b>	1840lm
<b>Delivered Lumens</b>	BK/CH-950lm*; BK/CP-850lm*; BK/SM-1100lm*;
<b>Voltage</b>	120V
<b>Color Temperature</b>	3000K
<b>CRI (Ra)</b>	90CRI
<b>Optional Color Temps</b>	2700K - 5000K Available, Minimum Order Quantities Apply
<b>LED Rated Life</b>	50,000 hours
<b>Dimming</b>	100% - 10%, ELV Dimmer (Not Included)
<b>Shade Details</b>	Smoked or Metallic Finish Glass Shade
<b>Location</b>	Dry
<b>Warranty</b>	5 Years
<b>Canopy Dimensions</b>	D5-1/8" x H7/8"



# KUZCO

19054 28TH AVENUE  
SURREY - BC V3Z 6M3  
CANADA

WWW.KUZCOLIGHTING.COM

COMMENT

